

2MP WDR Starlight Full Spectrum AF Network IR Bullet Camera

DEC362EFW-DUZ



Key Features

Optics

- Starlight illumination
- Up to 120 dB WDR(Wide Dynamic Range)
- Full spectrum light with both white and infrared LED design
- White light Open while PIR alarm Received to express alarm and ensure colorful surveillance
- Smart IR, up to up to 50m (164ft) IR distance
- While Light , Up to 10m(33ft)
- Optical glass window with higher light transmittance
- IR anti-reflection window to increase the infrared transmittance
- Day/night functionality

Compression

- Ultra 265,H.265, H.264, MJPEG
- Embedded smart algorithm
- Triple streams
- ROI (Region of Interest)
- 9:16 corridor mode
- Customized OSD

Network

- ONVIF Conformance

Structure

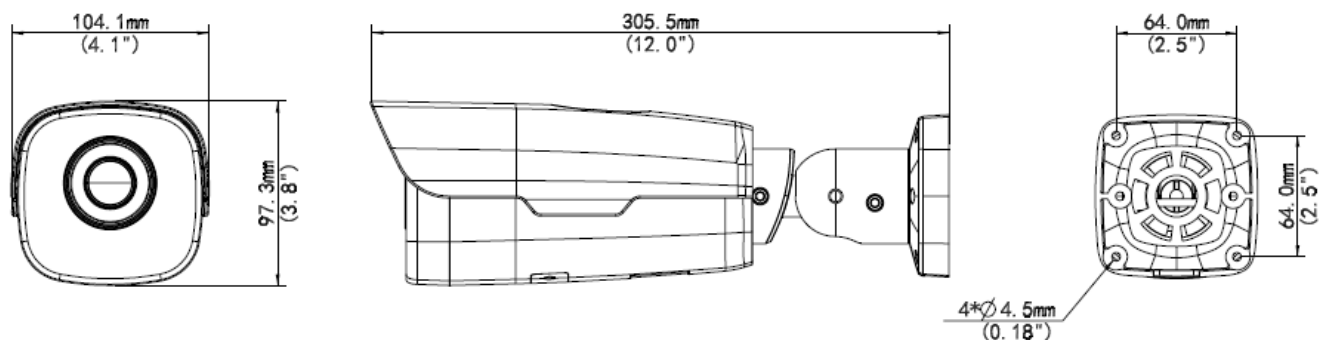
- Support PoE power supply
- Wide temperature range: -40°C to 60°C (-40°F to 140°F)
- Wide voltage range of $\pm 25\%$
- IP67

Specifications

DEC362EFW-DUZ	
Camera	
Sensor	1/2.8", progressive scan ,2.0 megapixel, CMOS
Lens	2.8~12mm@F1.4, DC-Iris, AF automatic focusing and motorized zoom lens
Angle of view(H)	105°(wide) ~ 33°(tele)
Shutter	Auto/Manual, 1/6~1/100000s
Minimum Illumination	Colour: 0.001 Lux (F1.4, AGC ON) 0 Lux with IR
Day/Night	IR-cut filter with auto switch (ICR)
Digital noise reduction	2D/3D DNR
S/N	>52dB
IR Range	Smart-IR , up to 50m (164ft) IR range
White Light	Up to 10m(33ft) with PIR alarm
Defog	Digital Defog
WDR	120dB
Video	
Video Compression	Ultra 265,H.265, H.264, MJPEG
H.264 code profile	Baseline profile, Main Profile, High Profile
Frame Rate	Main Stream: 2MP (1920×1080): Max. 60 fps; Sub Stream: 2MP (1920×1080): Max. 60 fps; Third Stream:D1(720×576) : Max. 60fps
9:16 Corridor Mode	Supported
HLC	Supported
BLC	Supported
OSD	Up to 8 OSDs
Privacy Mask	Up to 8 areas
ROI	Up to 8 areas
Motion Detection	Up to 4 areas
Smart	
Behavior Detection	Intrusion, cross line, motion detection
Exception Detection	Audio detection
Intelligent Identification	Face detection, Defocus, Scene Change
Statistical Analysis	People counting
General Function	Watermark, IP Address Filtering, Tampering Alarm, Alarm input, Alarm output, Access Policy, ARP Protection, RTSP Authentication, User Authentication

Audio	
Audio Compression	G.711
Two-way audio	Supported
Suppression	Supported
Sampling Rate	8 KHZ
Storage	
Edge Storage	Micro SD, Up to 128 GB
Network Storage	ANR
Network	
Protocols	IPv4, IGMP, ICMP, ARP, TCP, UDP, DHCP, PPPoE, RTP, RTSP, RTCP, DNS, DDNS, NTP, FTP, UPnP, HTTP, HTTPS, SMTP, 802.1x, SNMP
Compatible Integration	ONVIF(Profile S, Profile G), API
Interface	
Audio I/O	Audio cable
	1 Input: impedance 35 k Ω ; amplitude 2 V [p-p]
	1 Output: impedance 600 Ω ; amplitude 2 V [p-p]
Alarm I/O	2 / 1
Serial Port	1 RS485
Network	1RJ45 10M/100M Base-TX Ethernet
Video Output	1 BNC, impedance 75 Ω ; amplitude 1 V [p-p]
General	
Power	DC12V \pm 25%, AC24V \pm 25% , PoE (IEEE802.3 at)
	Power consumption: 13.7W
Dimensions (L x W x H)	305.5 x 104.1 x 97.3mm (12.0" x 4.1" x 3.8")
Weight	1.65 kg (3.6 lb)
Working Environment	-40°C ~ +60°C (-40°F ~ 140°F), Humidity:10%~95% RH(non-condensing)
Ingress Protection	IP67
Reset Button	Supported

Dimensions



Accessories

Installation mode	Accessories	Description
Wall mount	\	Mounting pedestal is included in the Product package
Ceiling mount	\	Mounting pedestal is included in the Product package
Rail mount	TR-UP06-A-IN	For outdoor rail installation
Pole mount	TR-UP06-A-IN	For outdoor pole installation