



AVH516+

RAID System Built-in (RAID5)

Power Redundancy

Push Status

Multicast

RS485 Communication

16CH 2MP Real-Time Video Recording

16CH 2MP NVR

Features

RAID System Built-in (RAID5)

Ten hard disks supported to form two RAID5 arrays for data security

Power Redundancy

A secondary power supply offered in case the main power supply is disconnected

Push Status - Active Event Notification with EagleEyes App

- Sends instant notifications for system events, such as video loss or HDD data removal



Multicast

Multicast supported to enhance the transmission efficiency among all NVRs and the CMS, helping users located in different secondary control rooms to quickly get what they want to see without video lag.



HD Video Recording

- HD real-time recording brings users clear images while video recording and playback
- 1920*1080 Full HD video output service, giving the best image quality on LCD / LED monitors

RS485 Communication

Capable of external device connection to extend the functionality and flexibility of your NVR

External Disk Array Support for More Video Storage

eSATA interface built-in to connect a disk array (up to 4-bay disk array with RAID 0 and 1) for more video storage

Multi-platform Remote Access

- Fully compatible with iPhone & iPad, and Internet Explorer on Windows operating system
- AVTECH free CMS program on both Windows and MAC OS

Smart Recording

High video resolution switch for events to optimize the recording efficiency of the hard disk



Specifications*

Hardware		
Video Input	One LAN port (up to 16 IP cameras)	
Video Output	HDMI	
Video Output Resolution	1920 x 1080	
Audio Output	YES	
HDD Storage**	Ten 4TB HDDs (5 hard disks as a RAID5 array)	
eSATA Port	YES	
RS-485 Port	YES	
USB Ports	Two on the front panel: one for video backup to USB flash drive, and another for NVR control via a USB mouse	
Alarm Out	YES	
IR Remote Control	YES	
Ethernet	LAN port	1000Mbps
	Internet port	1000Mbps
Software		
Video Compression Format	H.264	
Audio Compression Format	G711	
Local / Remote Display Mode	16CH	
Local / Remote Playback Mode	16CH	
Local Single Channel Playback	YES	
Recording Mode	Manual / Event / Alarm / Schedule	
Recording Throughput	Up to 480 IPS @ 1920 x 1080, Up to 120Mbps	
Pre-alarm Recording	YES	
Quick Search	Time / Event	
Event Notification	Push Status / Video Mail / Message Mail	
Security	4 user access levels with password	
Remote Access	(1) Internet Explorer on Windows operating system (2) Video Viewer on Windows and Mac operating system (3) EagleEyes on iOS & Android mobile devices	
Max. Online User	18	
Multicasta	YES	
CMS "Trident" Support	YES (E-Map / Health Check / Event Monitor Only)	

Specifications*

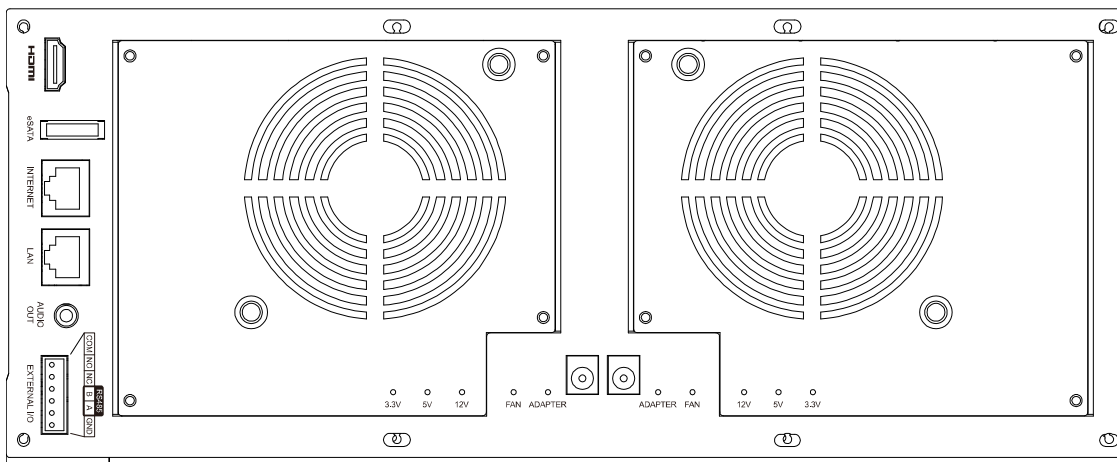
General	
Power Source ($\pm 10\%$)	DC19.5V / 7.7A x 2
Power Consumption ($\pm 10\%$)	28.5W (without a hard disk connected)
Power Redundancy	YES
Operating Temperature	10°C ~ 40°C (50°F ~ 104°F)
Dimensions (mm)**	325.5 (L) x 281.17 (W) x 138.1 (H)
Minimum PC Browsing Requirements	<ul style="list-style-type: none"> • Intel core i3 or higher, or equivalent AMD • 2GB RAM • AGP graphics card, Direct Draw, 32MB RAM • Windows 7, Vista & XP, DirectX 9.0 or later • Internet Explorer 7.x or later
Peripherals	HDMI Matrix / Rack Mount

*The specifications are subject to change without notice

** HDDs are optional.

*** Dimensional tolerance: $\pm 5\text{mm}$

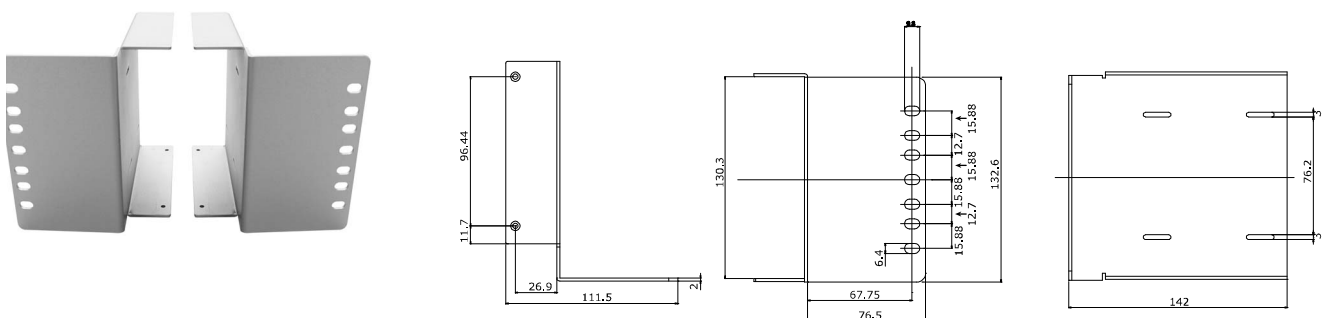
Rear Panel



Optional Rack Mount

■ AVH516PLUS-RBKT

Used for this NVR to mount to a rack.



Dimensional tolerance: $\pm 5\text{mm}$