

2MP 25x Lighthunter Network PTZ Dome Camera

DCODE DEC7612HF-X25P



Key Features



- High quality image with 2MP, 1/2.8" CMOS sensor
- 1920*1080@30fps in the main stream
- Ultra 265, H.265, H.264, MJPEG
- 25X optical zoom allows for closer viewing of subjects
- LightHunter technology ensures ultra-high image quality in low illumination environment
- Up to 120 dB Optical WDR (Wide Dynamic Range)
- DC12V or PoE+(IEEE 802.3at) power supply
- Audio 1 in and 1 out, Alarm 2 in and 1 out
- Micro SD, up to 256GB
- Smart IR, up to 150m (492 ft) IR distance
- IP66 ingress protection

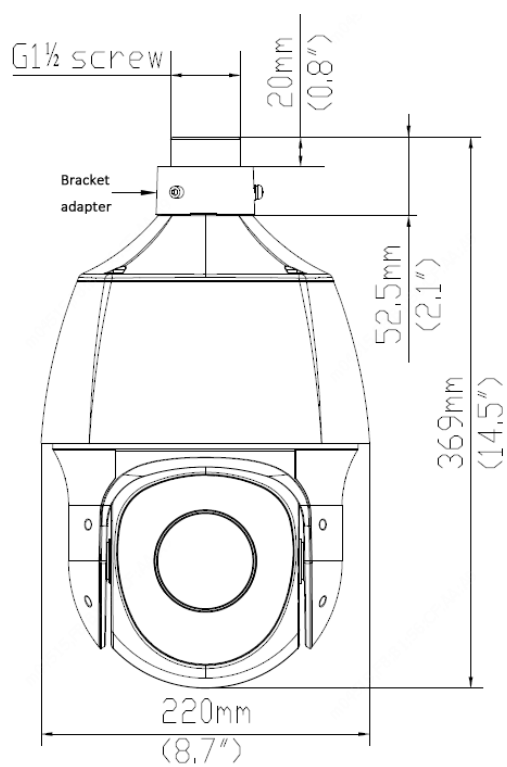
Specifications

DEC7612HF-X25P					
Camera					
Sensor	1/2.8", 2.0 megapixel, progressive scan, CMOS				
Min. Illumination	Colour: 0.001 Lux (F1.5, AGC ON) 0 Lux with IR				
Day/Night	IR-cut filter with auto switch (ICR)				
Shutter	Auto, 1 ~ 1/100000s				
WDR	120dB				
S/N	>52dB				
Lens					
Lens type	5~ 125mm, AF automatic focusing and motorized zoom lens				
Optical Zoom	25				
Iris	AutoI; F1.5 ~ F3.0				
Angle of View (H)	53.7° ~ 2.8°				
Angle of View (V)	31.8° ~ 1.6°				
Angle of View (O)	66.1° ~ 3.3°				
DORI					
DORI Distance	Lens (mm)	Detect (m)	Observe (m)	Recognize (m)	Identify (m)
	5	85.3(280.0ft)	34.1(112.0ft)	17.1(56.0ft)	8.5(28.0ft)
	125	1706.9 (5600.1ft)	682.8(2240.0ft)	341.4(1120.0ft)	170.7(560.0ft)
Illuminator					
IR Range	Up to 150m (492 ft) IR range				
Wavelength	850nm				
IR On/Off Control	Auto/Manual				
Video					
Video Compression	Ultra 265, H.265, H.264, MJPEG				
Frame Rate	Main Stream: 2MP(1920*1080),Max 30fps; Sub Stream: 720P (1280*720), Max 30fps; Third Stream: D1 (720*576), Max 30fps;				
Video Bit Rate	128 Kbps~16 Mbps				
H.264 Type	Baseline Profile/Main Profile/High Profile				
H.265 Type	Main Profile				
U-code	Support				
ROI	Up to 8 areas				
Video stream	Triple streams				
OSD	Up to 8 OSDs				
Privacy Mask	24 areas, up to 4 blacks in the same picture				
Image					
White Balance	Auto/Outdoor/Fine Tune/Sodium Lamp/Locked/Auto2				
Digital noise reduction	2D/3D DNR				
Smart IR	Support				
Flip	Normal/Flip Vertical/Flip Horizontal/180°/90°Clockwise/90°Anti-clockwise				
HLC	Support				
BLC	Support				

Defog	Digital Defog
Events	
Basic Detection	Motion detection, Audio detection, Tampering Alarm;
Auto-tracking	Support later
General Function	Watermark, IP Address Filtering, Alarm input, Alarm output, Access Policy, ARP Protection, RTSP Authentication, User Authentication
Audio	
Audio Compression	G.711U,G.711A
Audio Bitrate	64 Kbps
Two-way Audio	Support
Suppression	Support
Sampling Rate	8KHZ
Storage	
Edge Storage	Micro SD, up to 256 GB
Network Storage	ANR,NAS(NFS)
Network	
Protocols	IPv4, IGMP, ICMP, ARP, TCP, UDP, DHCP, PPPoE, RTP, RTSP, RTCP, DNS, DDNS, NTP, FTP, UPnP, HTTP, HTTPS, SMTP, 802.1x, SNMP, QoS, RTMP,SSL/TLS
Compatible Integration	ONVIF (Profile S, Profile G, Profile T), API,SDK
User/Host	Up to 32 users. 2 user levels: administrator and common user
Security	Password protection, strong password, HTTPS encryption, Export operation logs, basic and digest authentication for RTSP, digest authentication for HTTP, TLS 1.2, WSSE and digest authentication for ONVIF
Client	DStation Dview
Web Browser	Plug-in free live view: Chrome 57.0+, Firefox 58.0+, Edge 16+, Safari 11+
	Plug-in required live view: IE9+, Chrome 41 and below, Firefox 52 and below
Pan & Tilt	
Pan Range	360° (endless)
Pan Speed	2°/s ~ 75°/s
	Preset speed: 180°/s
Tilt Range	-15° ~ 90° (auto reverse)
Tilt Speed	2° ~ 75°/s
	Preset speed: 80°/s
Number of Presets	1024
Patrol	Preset patrol, route patrol, recorded patrol
Patrol Stay Time	15s~1800s
Preset Image Freeze	Support
Home Position	Support
Interface	
Audio I/O	1/1
Alarm I/O	2/1
Serial Port	1 RS485
Built-in Mic	N/A
Built-in Speaker	N/A
WIFI	N/A

Network	1 * RJ45 10M/100M Base-TX Ethernet
Video Output	N/A
Certification	
EMC	FCC CFR 47 Part 15 EN 55032:2015 EN 55024:2010 EN 61000-3-2:2014 EN 61000-3-3-2013
Safety	IEC 62368-1 EN 62368-1 UL 60950-1
Environment	CE-ROHS (2011/65/EU;(EU)2015/863); WEEE (2012/19/EU); REACH (Regulation (EC) No 1907/2006)
Protection	Ingression protection: IP66 (IEC 60529-2013)
General	
Power	DC12V±10% , PoE+ (IEEE802.3 at)
	Power consumption: Max 25W
Power Interface	Ø 5.5mm coaxial power plug
Dimensions (Ø x H)	Ø220 x 369mm (Ø8.7" x 14.5")
Weight	3.3kg(7.26lb)
Working Environment	-40°C~65°C(-40°F ~ 149°F), ≤95%RH
Storage Environment	-40°C~70°C(-40°F ~ 158°F), ≤95%RH
Surge protection	6KV
Vandal Resistant	N/A
Ingress Protection	IP66
Reset button	Support

Dimensions



Accessories

TR-CE45-IN



TR-SE45-A-IN



TR-SE45-IN



TR-UF45-A-IN



TR-WE45-IN



TR-WE45-A-IN



TR-UP08-A-IN/TR-UP08-B-IN



TR-UC08-A-IN/ TR-UC08-B-IN



TR-JB12-IN



TR-WE45-B-IN



Pendent Mount	Pole Mount
<p>TR-CE45-IN; TR-UF-45-A -IN +TR-SE45-A-IN/TR-SE45-IN</p>	<p>TR-WE45-IN/TR-WE45-A-IN+TR-UP08-A-IN/TR-UP08-B-IN+TR-JB12-IN</p>
Corner Mount	/
<p>TR-WE45-IN/TR-WE45-A-IN+TR-UC08-A-IN/ TR-UC08-B-IN+TR-JB12-IN</p>	<p>/</p>
	<p>/</p>